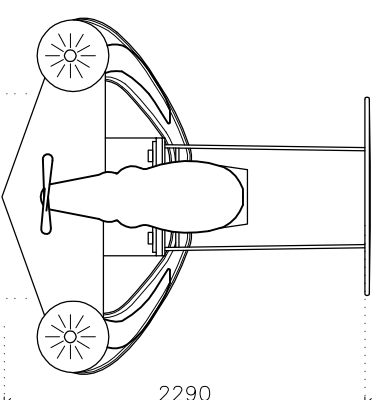
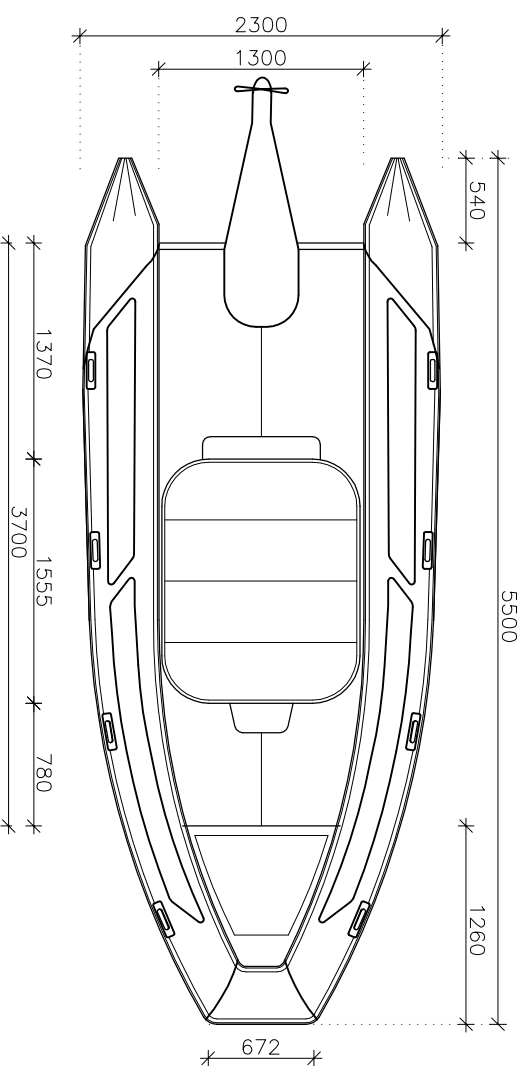
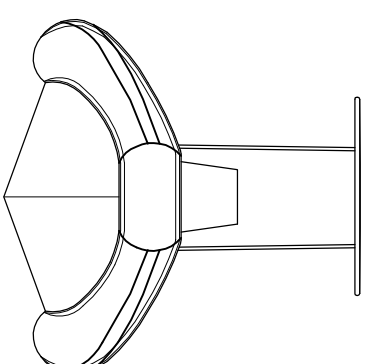
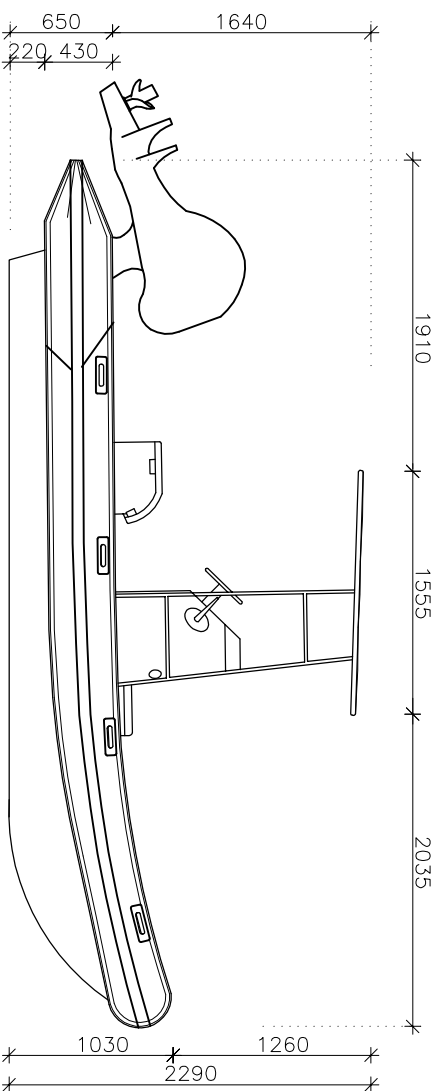




Southern Pacific
Inflatables

Cormorant 550 - Specifications



Specifications and maximum capacities (Subject to change without notice)

Length External	Beam External	Length Internal	Beam Internal	Tube Diameter Fwd	Tube Diameter Aft	Air Chambers	Weight	Payload	Max HP	Recommended HP	Fuel Underfloor	Hull Degree Deadrise	Hull Thickness
5.5m / 18"	2.3m / 7'6"	3.7m / 12'1"	1.3m / 4'3"	0.43m / 1'5"	0.5m / 1'7"	5	200kg / 440lbs	950kg / 2094lbs	90hp / 25inch	70hp / 25inch	80L	22	0.4m