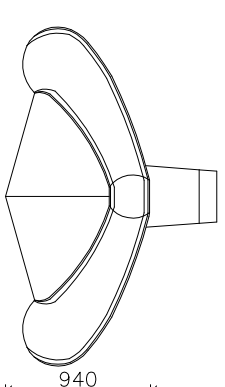
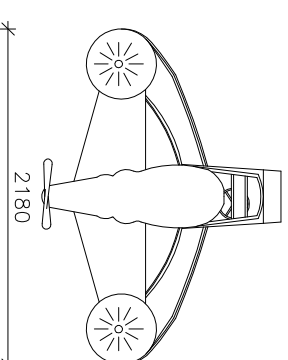
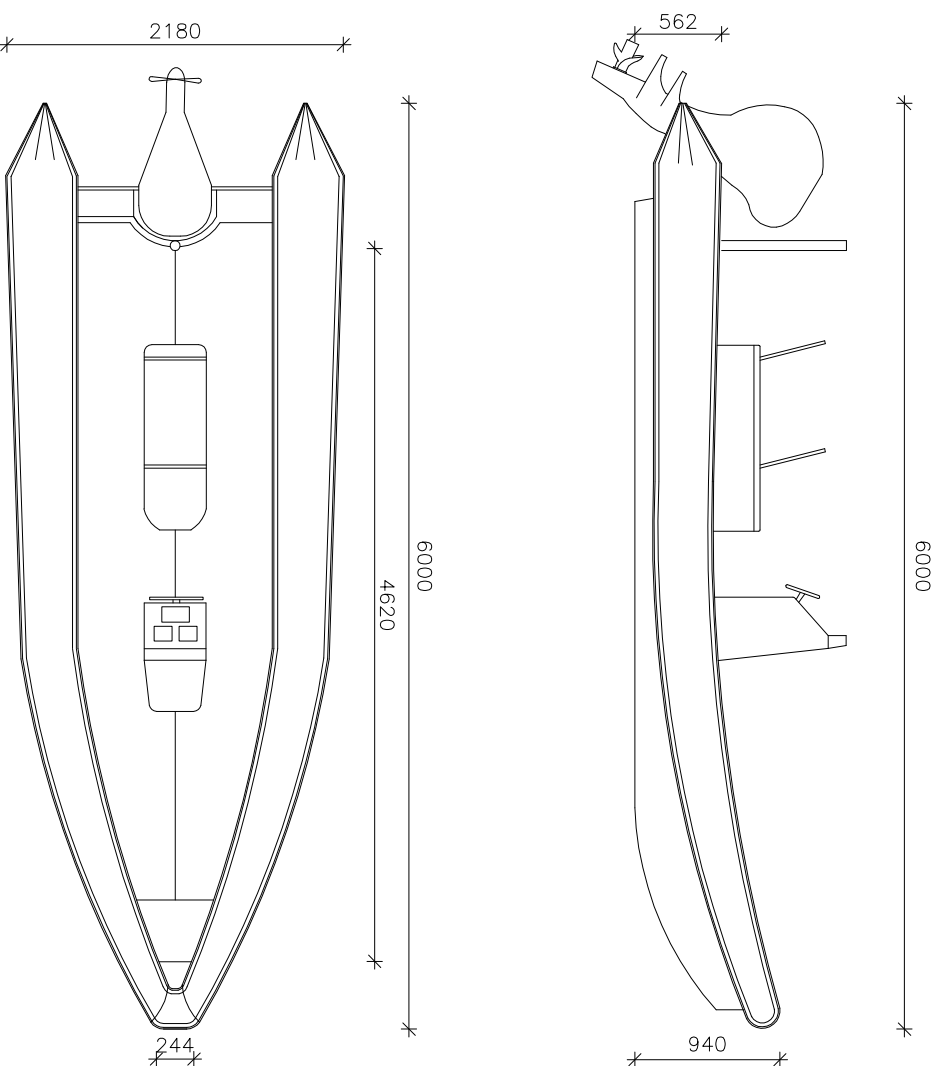




Southern Pacific
Inflatables

PerformR - Specifications



Specifications and maximum capacities (Subject to change without notice)

LOA	Max Beam	Length Waterline	Waterline Beam	Chine Beam	Deadrise (variable)	Displacement	ISO 12215 Design	Underfloor Fuel Tank	Recommended HP	Max HP
6.0m / 19'6"	2.18m / 7'1"	4.62m / 15'1"	1.70m / 5'5"	1.37m / 4'5"	20deg aft - 58fwd	500kg	Category C	80 L	60	100