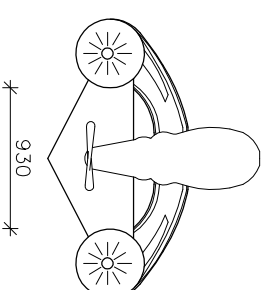
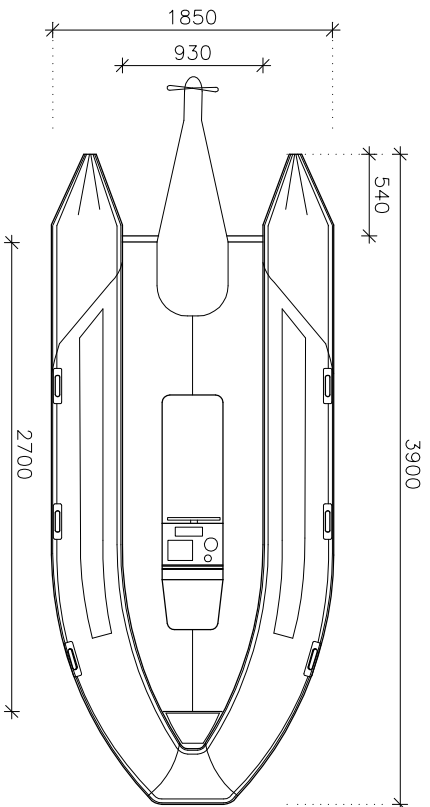
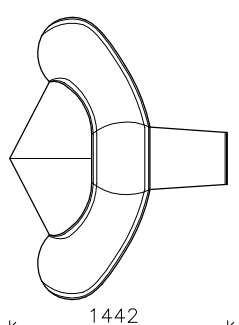
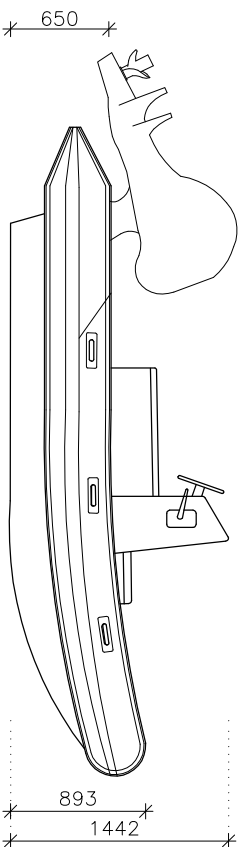


Cormorant 390 - Specifications



Specifications and maximum capacities (Subject to change without notice)

Length External	Beam External	Length Internal	Beam Internal	Tube Diameter Fwd	Tube Diameter Aft	Air Chambers	Weight	Payload	Max HP / Shaft	Hull Deadrise	Hull Thickness
3.9m / 127"	1.85m / 6"	2.7m / 8'8"	0.93m / 3'1"	0.40m / 1'3"	0.48m / 1'5"	3	98kg / 215lbs	680kg / 1496lbs	30hp long / 20inch	Deep V	0.4m