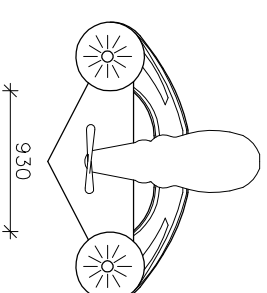
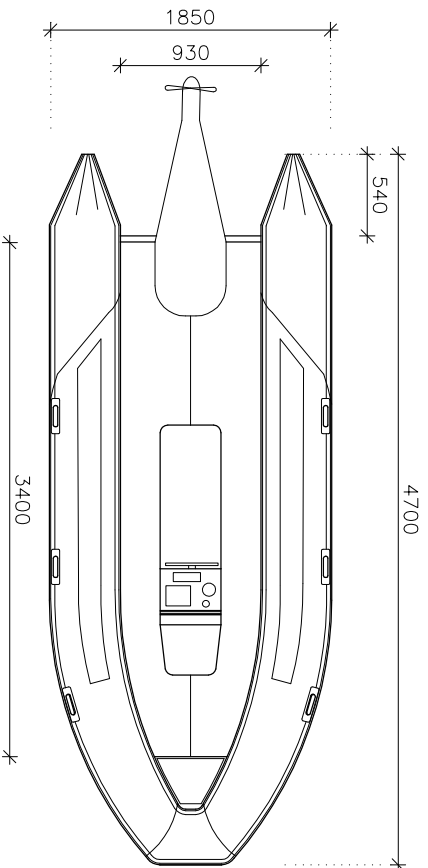
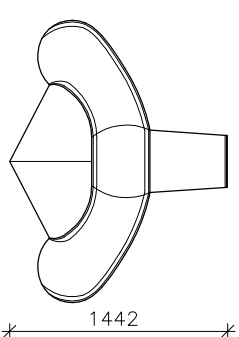
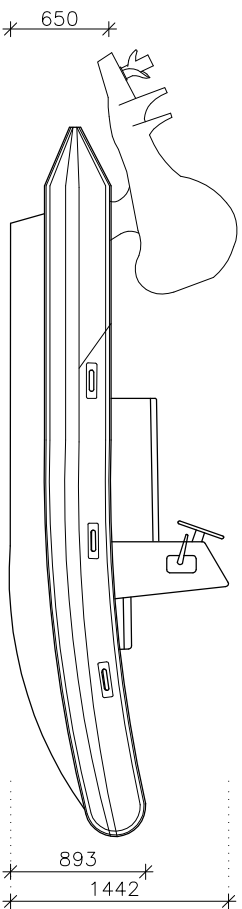


Cormorant 470 - Specifications



Specifications and maximum capacities (Subject to change without notice)

Length External	Beam External	Length Internal	Beam Internal	Tube Diameter Fwd	Tube Diameter Aft	Air Chambers	Weight	Payload	Max HP / Shaft	Hull Deadrise	Hull Thickness
4.7m / 15'4"	1.85m / 6"	3.4m / 11'1"	0.93m / 3'1"	0.44m / 1'4"	0.48m / 1'5"	3	113kg / 249lbs	790kg / 1738lbs	50hp long / 20inch	Deep V	0.4m