



Shearwater 260/280/310/340

Super tough, Large volume Aluminum Tender

A super tough, large volume aluminum tender. The Southern Pacific Shearwater is a rugged RIB designed for bigger payloads, with large diameter tubes and a voluminous aluminum hull that provides greater stability, everything in your boat will remain safe and dry.

Features

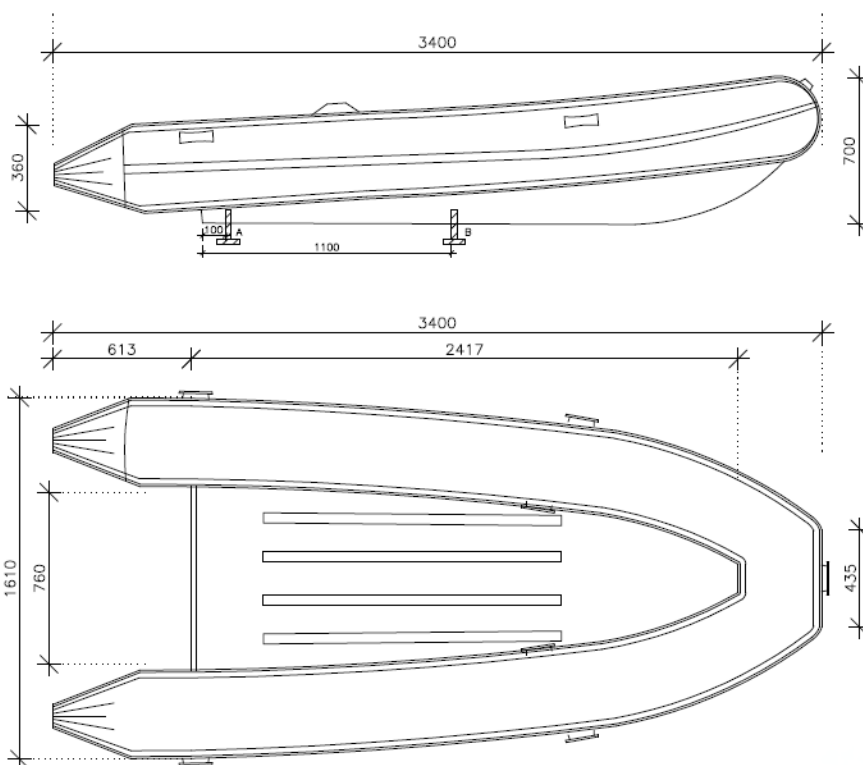
- Internal auto-bailing bung
- Heavy-duty rub strake
- Protective skids
- Transom protection plate
- Lifting points
- Anti-slip deck grip
- Removable floating seat
- Internal oar storage
- Alloy oars
- Railblaza cleat handles
- Hand pump

Options

- Suzuki outboard options
- Internal grab lines
- Storage cover
- Dingy wheels
- Available in white or grey

For more custom options, contact Southern Pacific Boats

Specifications	260 RIB	280 RIB	310 RIB	340 RIB
Length External	2.6 m (8'5")	2.8 m (9'2")	3.1 m (10'1")	3.4 m (11'1")
Beam External	1.59 m (5'1")	1.6 m (5'2")	1.61 m (5'2")	1.61 m (5'2")
Length Internal	1.77 m (5'8")	1.79 m (5'9")	2.17 m (7'1")	2.47 m (8'1")
Beam Internal	0.75 m (2'4")	0.76 m (2'5")	0.76 m (2'5")	0.76 m (2'5")
Tube Diameter Fwd	0.36 m (1'2")	0.36 m (1'2")	0.36 m (1'2")	0.36 m (1'2")
Tube Diameter Aft	0.42 m (1'4")	0.42 m (1'4")	0.42 m (1'4")	0.42 m (1'4")
Air Chambers	2	3	3	3
Dry Weight	30 kg (66 lbs)	35 kg (77 lbs)	38 kg (84 lbs)	45 kg (99 lbs)
Payload	400 kg (880 lbs)	450 kg (990 lbs)	540 kg (1188 lbs)	620 kg (1364 lbs)
Maximum Engine Weight	25 kg (55 lbs)	42 kg (93 lbs)	52 kg (115 lbs)	55 kg (176 lbs)
Maximum HP	5 HP	10 HP	15 HP	18 HP
Hull Deadrise	12 deg	12 deg	12 deg	12 deg



Retail: Safety at Sea
Unit 4/118 Asquith Avenue, Mount
Albert, Auckland
09 360 0300
sales@safetyatsea.co.nz
www.safetyatsea.co.nz

Factory: Southern Pacific Boats
22 Oraha Road, Kumeu, Auckland
09 412 5591
sales@southernpacific.co.nz
www.southernpacific.co.nz