

Divesport 350

The High Volume Utility RIB

The Divesport 350, a versatile RIB perfect for diving, fishing and family fun. With its lightweight design, flat false-floor, sturdy build, and exceptional seaworthiness, this boat is the perfect large volume tender. Able to easily get up on a plain with a heavy load. Standard models are PVC. Also available in TPU and Hypalon.

Features

- Self-draining hull
- Heavy-duty rub strake
- Internal grab lines
- Rope guide and bow cleat
- Railblaza cleat handles
- Anti-slip deck grip
- Hand pump
- One paddle
- Fixed lifting points

Options

- Fuel tank (with outboard) tote
- Bilge pump
- Anchor pack
- LED Navigation lights
- VHF
- Various console and seating options
- Windscreen (with console)
- Stereo (radio compatibility an extra)
- Cone or round tube end

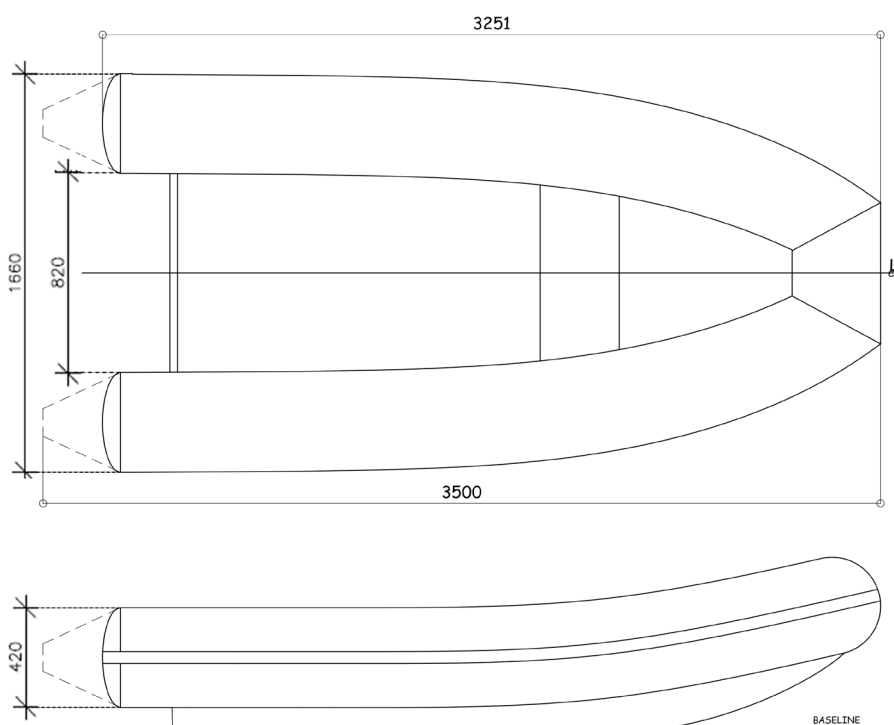
For more custom options, contact Southern Pacific Boats

Retail: Safety at Sea
Unit 4/118 Asquith Avenue, Mount
Albert, Auckland
09 360 0300
sales@safetyatsea.co.nz
www.safetyatsea.co.nz

Factory: Southern Pacific Boats
22 Oraha Road, Kumeu, Auckland
09 412 5591
sales@southernpacific.co.nz
www.southernpacific.co.nz

Specifications

Length External	3.5 m	11'4"
Beam External	1.66 m	5'5"
Length Internal	2.6 m	8'5"
Beam Internal	0.82 m	2'6"
Tube Diameter Fwd	0.36 m	1'2"
Tube Diameter Aft	0.42 m	1'4"
Air Chambers	3	
Dry Weight	63 kg	139 lbs
Payload	580 kg	1279 lbs
Max. Engine Weight	90 kg	198 lbs
Max. HP	30 HP	
Hull Deadrise	14 deg	
Tube Construction	Thermal Welded	



Retail: Safety at Sea
Unit 4/118 Asquith Avenue, Mount
Albert, Auckland
09 360 0300
sales@safetyatsea.co.nz
www.safetyatsea.co.nz

Factory: Southern Pacific Boats
22 Oraha Road, Kumeu, Auckland
09 412 5591
sales@southernpacific.co.nz
www.southernpacific.co.nz